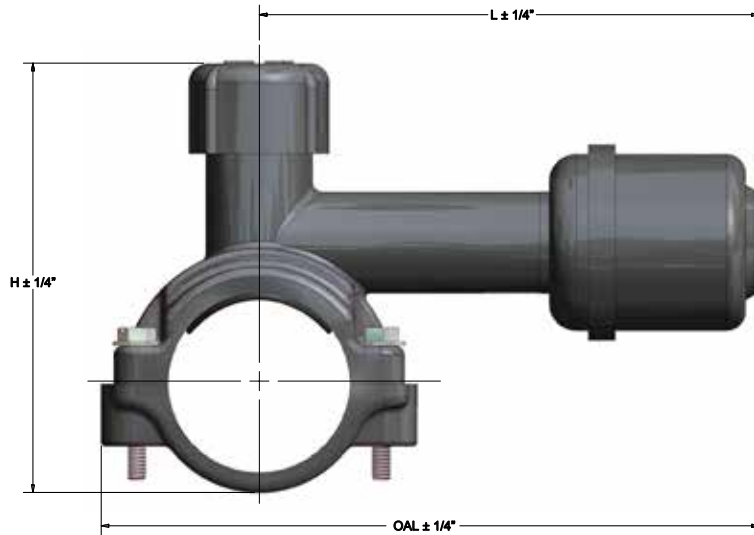
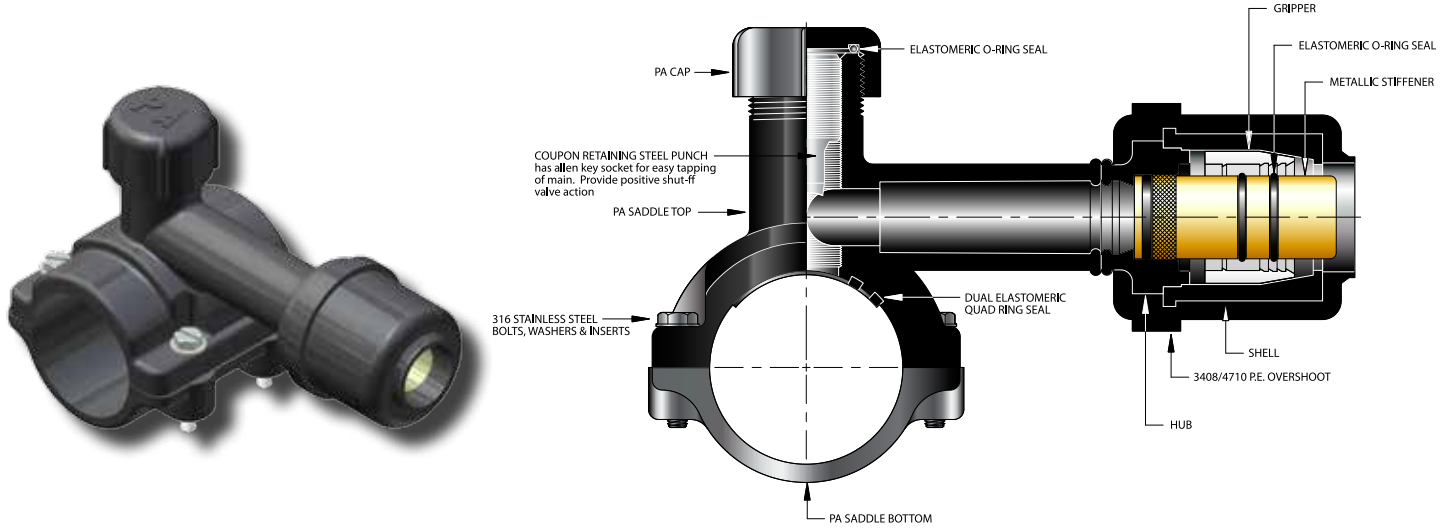




CON-STAB ID SEAL® ELIMINATORS



OUTLET (PE SIZE)	WALL	MAIN SIZE	PART NUMBER 5864 1/2" CR PUNCH	PART NUMBER 5764 13/16" CR PUNCH	"H"	"L"	"OAL"	"W"
1/2" CTS (5/8" OD)	.090	1 1/4"	5864-15-1604-00‡	N/A	4 13/16"	6 1/2"	8 1/16"	4"
		2"	5864-17-1604-00‡	5764-17-1604-00†	5 5/8"	6 3/16"	8 1/4"	
		3"	5864-19-1604-00	5764-19-1604-00†	7 3/16"	6 11/16"	9 1/4"	3 7/16"
		4"	5864-21-1604-00	5764-21-1604-00†	8 1/4"	7"	10 1/2"	
		6"	5864-24-1604-00	5764-24-1604-00†	10 1/2"	8"	12 7/8"	
3/4" IPS	SDR-11 (.095)	1 1/4"	5864-15-1613-00‡	N/A	4 13/16"	6 1/2"	8 1/16"	4"
		2"	5864-17-1613-00‡	5764-17-1613-00†	5 5/8"	6 3/16"	8 1/4"	
		3"	5864-19-1613-00	5764-19-1613-00†	7 3/16"	6 11/16"	9 1/4"	3 7/16"
		4"	5864-21-1613-00	5764-21-1613-00†	8 1/4"	7"	10 1/2"	
		6"	5864-24-1613-00	5764-24-1613-00†	10 1/2"	8"	12 7/8"	
1" IPS	SDR-11 (.119)	1 1/4"	5864-15-1614-00	N/A	4 13/16"	6 1/2"	8 1/16"	4"
		2"	5864-17-1614-00	5764-17-1614-00†	5 5/8"	6 3/16"	8 1/4"	
		3"	5864-19-1614-00	5764-19-1614-00†	7 3/16"	6 11/16"	9 1/4"	3 7/16"
		4"	5864-21-1614-00	5764-21-1614-00†	8 1/4"	7"	10 1/2"	
		6"	5864-24-1614-00	5764-24-1614-00†	10 1/2"	8"	12 7/8"	

Continental's Con-Stab I.D. Seal® product line is manufactured and tested to the following industry standards.

- ASTM D 2513 "Standard Specification for Thermoplastic Gas Pressure Pipe, Tubing and Fittings"
- ASME B31.8-1995 "Gas Transmission and Distribution Piping Systems"
- D.O.T., Title 49 of the Code of Federal Regulations, Part 192.283 (b) & 192.367
- NFPA 58, LP-Gas Code

- Pressure rating—Designed to meet or exceed pressure rating of PE pipe per 49 CFR Part 192 and ASTM D2513.
- † = CSA Approved / ‡ = IAPMO/UPC Listed



The Ultimate Connection

Phone: 1-800-558-1373 • Fax: 1-800-788-1668 • www.conind.com

